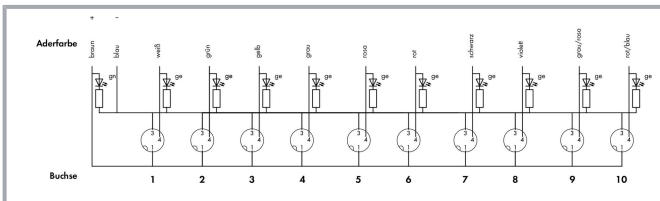
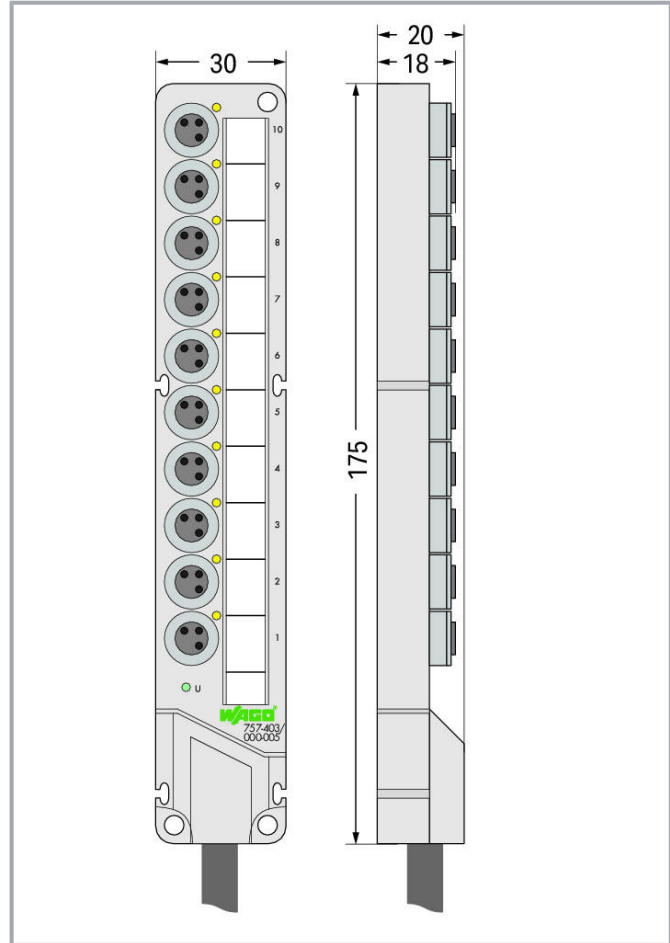


Data sheet | Item number: 757-403/000-005

M8 sensor/actuator box; 10-way; 3-pole; 5m connecting cable

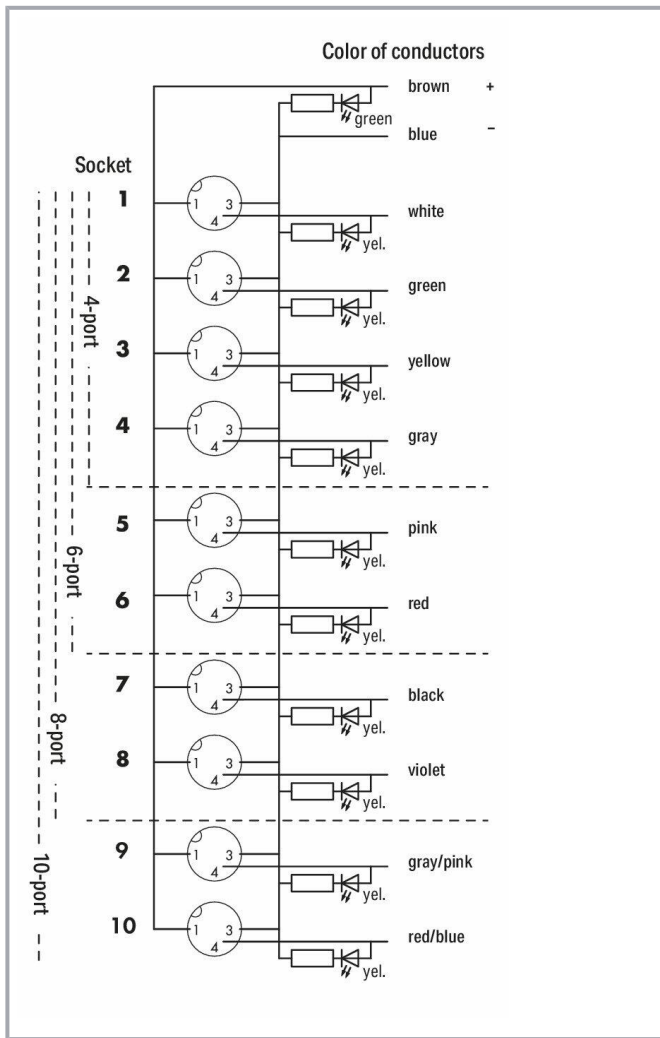
www.wago.com/757-403/000-005



Subject to changes. Please also observe the further product documentation!

WAGO GmbH & Co. KG
Hansastr. 27
32423 Minden
Phone: +49571 887-0 | Fax: +49571 887-169
Email: info.de@wago.com | Web: www.wago.com

Do you have any questions about our products?
We are always happy to take your call at +49 (571) 887-44222.



Item description

- M8 sensor/actuator box, 10-way
- 3-pole (1 signal per contact)
- Cable length: 5 and 10 m
- Green LED operating indicator
- Yellow LED status indicator
- incl. marker strips (WMB markers can also be used)
- incl. M8 protective caps (2 pcs)

Subject to changes. Please also observe the further product documentation!

WAGO GmbH & Co. KG
 Hansastr. 27
 32423 Minden
 Phone: +49571 887-0 | Fax: +49571 887-169
 Email: info.de@wago.com | Web: www.wago.com

Do you have any questions about our products?
 We are always happy to take your call at +49 (571) 887-44222.



Data

Technical data

Contact resistance (max.)	0.01 Ω
Supply voltage	10 ... 30 VDC; Rated voltage: 32 V ~ rms
Current carrying capacity (signal connections)	2 A
Current carrying capacity (supply connections)	6 A
Rated value of electrical isolation	500 V
Functionally separated potential groups	Kontakt/Kontakt
Insulation resistance	1000 M Ω
Signal characteristic	PNP
Indicators	LED yellow: Signal status (1 x per contact); LED (U) green: Sensor /actuator box status

Connection data

Connection technology: inputs/outputs	10 x M8 socket; 3-pole
Connection technology: trunk cable	1 x Fixed connecting cable
Length of connecting cable	5 m
Strip length	100 mm / 3.94 inch
Wire colors	white, green, yellow, gray, pink, red, black, purple, gray/pink, red /blue, brown, blue
Cable design	Wire cross-section: 0.34 mm ² ; Wire cross-section 2: 0.75 mm ²

Physical data

Width	30 mm / 1.181 inch
Height	20 mm / 0.787 inch
Depth	175 mm / 6.89 inch

Mechanical data

Mounting type	Screw mounting
---------------	----------------

Material data

Housing material	PA 66 (UL 94 V0); RAL 7035; silicon and halogen free
Halogen-free	Yes
Sheathed cable diameter	7.6 mm
Bending radius	10 x cable diameter (min.) for flexible application

Subject to changes. Please also observe the further product documentation!

WAGO GmbH & Co. KG
 Hansastr. 27
 32423 Minden
 Phone: +49571 887-0 | Fax: +49571 887-169
 Email: info.de@wago.com | Web: www.wago.com

Do you have any questions about our products?
 We are always happy to take your call at +49 (571) 887-44222.

Material properties of the connections

Contact: CuSn, nickel base-coat plating and 0.8 µm gold-plated;
Threaded bush: die-cast Zn, nickel-plated; Seal: Viton; 50 mating cycles

Sheath material

PUR

Encapsulation

Fully encapsulated with conformal coating (UL 94 V0)

Environmental requirements

Surrounding air temperature (operation)

-25 ... +80 °C

Surrounding air (operating) temperature (dynamic)

-5 ... +80 °C

Surrounding air (operating) temperature (static)

-40 ... +80 °C

Surrounding air temperature (operation) in drag chain

+60 °C

Protection type

IP68

Note on protection type

72 h at a depth of 1 m under water per EN 60529 in the fully locked position with its plugs or protective caps

Pollution degree (5)

3 per VDE 0110

Vibration resistance

per IEC 60068-2-6

Shock resistance

per IEC 60068-2-27

Commercial data

PU (SPU)

1 Stück

Packaging type

box

Country of origin

DE

GTIN


4044918978651

Customs tariff number

85366990990

Approvals / Certificates

UL-Approvals

Logo	Approval	Additional Approval Text	Certificate name
	UL UL International Germany GmbH (ORDINARY LOCATIONS)	UL 508	E175199 Sec.5

Optional accessories

Marking accessories

Marking strip

Subject to changes. Please also observe the further product documentation!

WAGO GmbH & Co. KG

Hansastr. 27

32423 Minden

Phone: +49571 887-0 | Fax: +49571 887-169

Email: info.de@wago.com | Web: www.wago.com

Do you have any questions about our products?

We are always happy to take your call at +49 (571) 887-44222.



Item no.: 757-001

Marking strips; not stretchable; snap-on type

www.wago.com/757-001

Marking device



Item no.: 210-110

Fiber-tip pen

www.wago.com/210-110

Downloads

Documentation

System Description

Sensor/Actuator Boxes – General Product Information

pdf
537.3 kB

[Download](#)

Additional Information

Disposal; Electrical and electronic equipment, Packaging

V 1.0.0

pdf
265.8 kB

[Download](#)

CAD/CAE-Data

CAE data

EPLAN Data Portal 757-403/000-005

[URL](#)

[Download](#)

WSCAD Universe 757-403/000-005

[URL](#)

[Download](#)

WSCAD Universe 757-403/000-005

[URL](#)

[Download](#)

EPLAN Data Portal 757-403/000-005

[URL](#)

[Download](#)

ZUKEN Portal 757-403/000-005

[URL](#)

[Download](#)

CAD data

2D/3D Models 757-403/000-005

[URL](#)

[Download](#)

Environmental Product Compliance

Compliance Search

Environmental Product Compliance 757-403/000-005

[URL](#)

[Download](#)

M8 sensor/actuator box; 10-way; 3-pole; 5m connecting cable

Subject to changes. Please also observe the further product documentation!

WAGO GmbH & Co. KG

Hansastr. 27

32423 Minden

Phone: +49571 887-0 | Fax: +49571 887-169

Email: info.de@wago.com | Web: www.wago.com

Do you have any questions about our products?

We are always happy to take your call at +49 (571) 887-44222.



Installation Notes

Subject to changes. Please also observe the further product documentation!

WAGO GmbH & Co. KG
Hansastr. 27
32423 Minden
Phone: +49571 887-0 | Fax: +49571 887-169
Email: info.de@wago.com | Web: www.wago.com

Do you have any questions about our products?
We are always happy to take your call at +49 (571) 887-44222.